

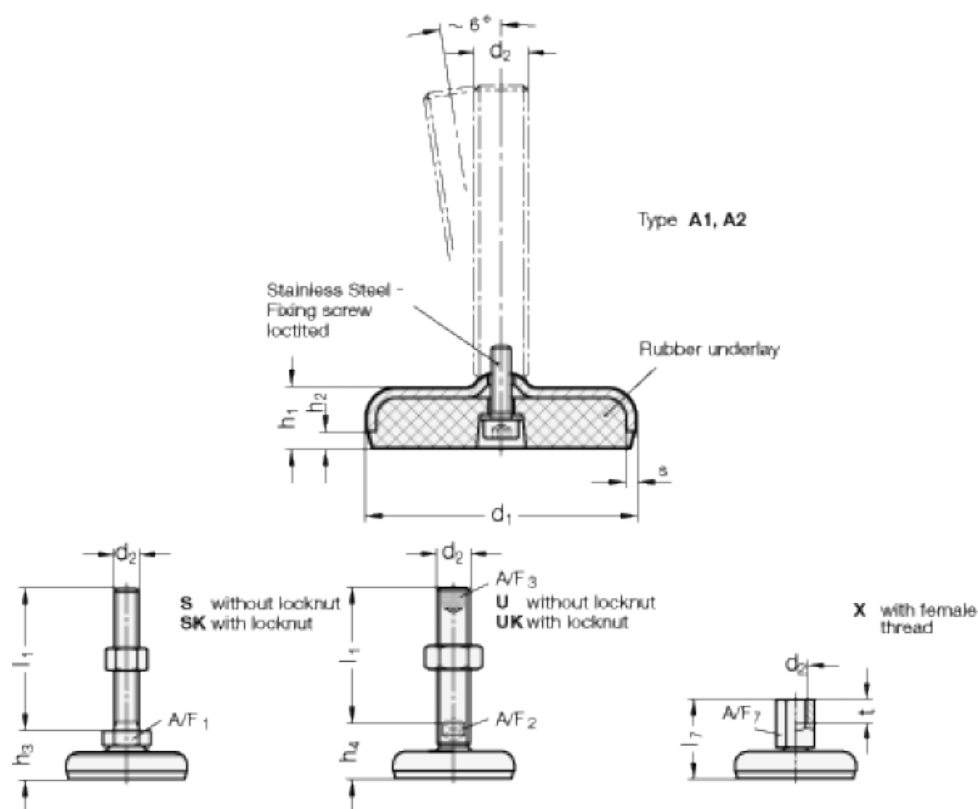
Article number: 203050M1050A1S

Description: E+G levelling foot

GN 30-50-M10-50-A1-S

Note: S Withoutnut, External hexagon at the bottom

## Measures



A/F1 = 17

d1 = 50

d2 = M10

h1 = 14.5

h2 = 3.5

h3 = 23

l1 = 50

s = 3